

Maximum Efficiency Right-angle Gearmotors

730 PMDC 24V

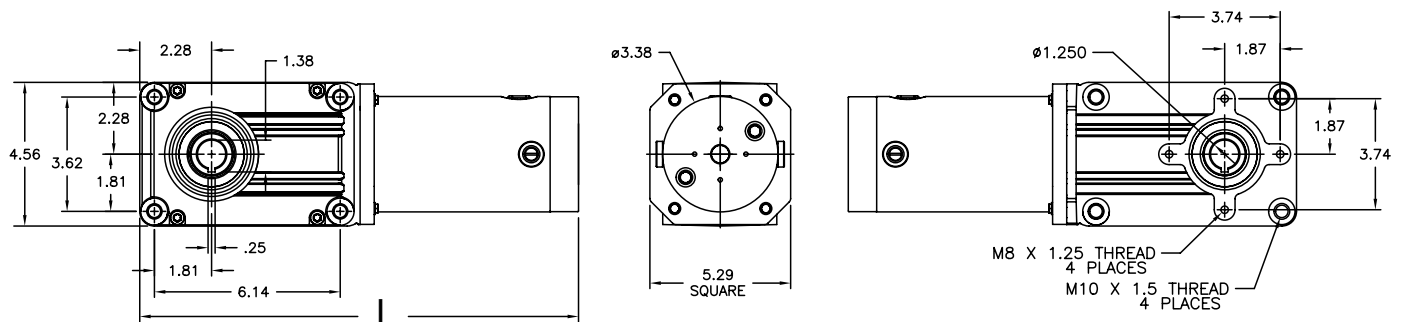
PowerSTAR® 730 Series PMDC 24V right-angle gearmotor offers up to 1662 in-lbs of torque running continuously for energy efficient operation in a sleek, compact profile. Uses a 32 Frame TENV PMDC motor with 36" cordset.



730 Series PMDC 24V Gearmotor - TENV

Part Number	Speed (RPM)	Torque (in-lbs)	Input HP	Gear Ratio	OHL (lbs)	Amps
021-730C0010	250	79	1/3	10	465	13.3
021-730C0015	167	118	1/3	15	520	13.3
021-730C0020	125	158	1/3	20	565	13.3
021-730C0030	83	236	1/3	30	625	13.3
021-730C0040	63	315	1/3	40	675	13.3
021-730C0050	50	394	1/3	50	720	13.3
021-730C0060	42	472	1/3	60	760	13.3
021-730C0080	31	629	1/3	80	820	13.3
021-730C0100	25	692	1/4	100	910	11.2
021-730C0120	21	831	1/4	120	965	11.2
021-730C0150	17	1039	1/4	150	1010	11.2
021-730C0180	14	1246	1/4	180	1050	11.2
021-730C0240	10	1662	1/4	240	1120	11.2

See accessories on page 16



L	
L = Gearmotor length:	
1/3 HP:	16.77
1/4 HP:	16.41

DC GEARMOTOR

WHITE	+LINE
BLACK	-LINE
GREEN	GROUND

To reverse rotation interchange white and black leads